

Revision Notes:

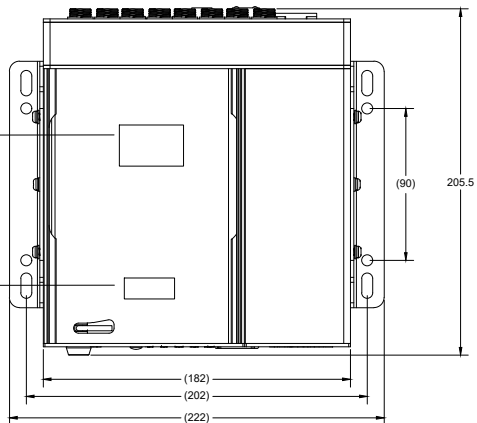
R1 - UPDATING FIRMWARE VERSION AND MANUAL AND CD PART NUMBERS FOR ECR-A583 AND P1296 (9 LANGUAGES, NEW FEATURES AND BUG FIXES)

APA: CAROL LI Drawn: S. ZHANG Checked: L. PILLAY Approved: R. PENTLEY Date: 24/07/2019

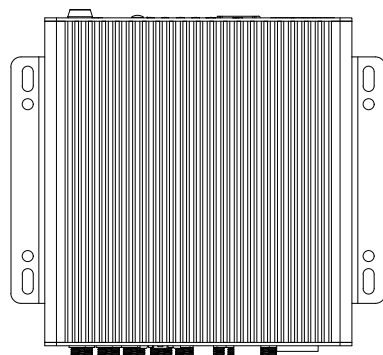
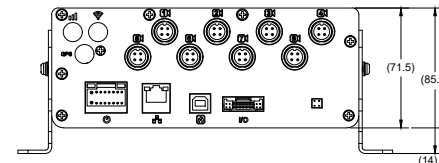
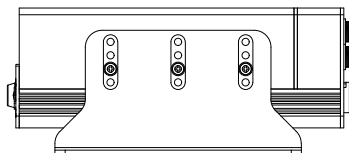
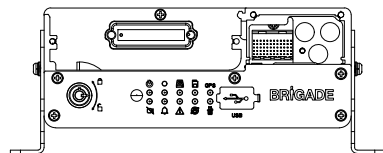
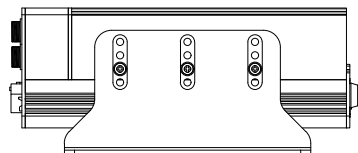
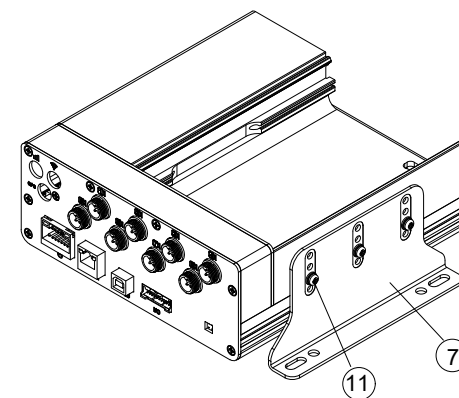
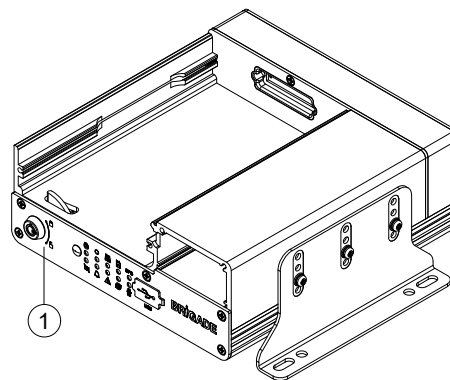
R2 - UPDATE FIRMWARE VERSION, GPS ANTENNA, CD & INSTALLATION GUIDE AS PER P1471 & P1405

APA: P. BU Drawn: F. ADEMUJIMI Checked: S. ZHANG Approved: S. LAVER Date: 02/12/2020

PRODUCT NUMBER LABEL LOCATION



SERIAL NUMBER LABEL LOCATION



- NOTES:
1. REFERENCE INSTRUCTION MANUAL FOR FUNCTIONALITY.
 2. ANY CUSTOMER MODIFICATION OF THIS PRODUCT CAUSING SUBSEQUENT FAILURE IS NOT A LIABILITY OF BRIGADE ELECTRONICS GROUP PLC.
 3. FIXING SCREWS SUPPLIED IN CLEAR PLASTIC BAG.
 4. REFER TO COMPONENT DRAWINGS FOR DETAILED COMPONENT INFORMATION.
 5. FOR ALL LABELS AND PACKAGING REFER TO MASTER BOM.
 6. PART DESCRIPTIONS CONTAINING "" ARE FOUND WITHIN THE CONTROL UNIT. REFER TO MASTER BOM FOR DETAILS.

PROPRIETARY NOTICE
THIS DESIGN AND TECHNICAL INFORMATION APPEARING ON THIS DRAWING IS THE PROPERTY OF BRIGADE ELECTRONICS, AND IS DISCLOSED IN CONFIDENCE. IT IS NOT TO BE COPIED, REPRODUCED, REVEALED TO OR EXPROPRIATED BY OTHERS, EITHER IN WHOLE OR IN PART WITHOUT THE EXPRESS WRITTEN CONSENT OF BRIGADE ELECTRONICS.



Assembly Pl Approval CAROL LI		Approved by B. JOHN		Checked by L. PILLAY		Drawn by S. ZHANG	
Sheet No 1 of 2	Angle of Projection 		Units mm	Scale N/A	Released 23/01/19	Assembly Ref N/A	
Status DRAFT			MDR-508-DS-E01				
Part No 5624A			BE-003912-02-18				

Revision Notes:				
R1 - UPDATING FIRMWARE VERSION AND MANUAL AND CD PART NUMBERS FOR ECR-A583 AND P1296 (9 LANGUAGES, NEW FEATURES AND BUG FIXES)				
APA: CAROL LI	Drawn: S. ZHANG	Checked: L. PILLAY	Approved: R. PENTLEY	Date: 24/07/2019
R2 - UPDATE FIRMWARE VERSION, GPS ANTENNA, CD & INSTALLATION GUIDE AS PER P1471 & P1405				
APA: P. BU	Drawn: F. ADEMUJIMI	Checked: S. ZHANG	Approved: S. LAVER	Date: 02/12/2020

ITEM	PART NUMBER	QTY	MODEL NUMBER	DESCRIPTION	MCU VERSION	FIRMWARE VERSION
(A)	5624A	1	MDR-508-DS-E01	MDR-500, 8 CAMERA UNIT, WITHOUT MOBILE CADDY AND EXPANSION MODULE	T17071201	T200915.01

ITEM	(1)	(2)	(3)	(4)	(5)	(6)
DESCRIPTION	8CH DOCKING STATION WITH G-SENSOR *	MDR INPUT / OUTPUT CABLE (NOT SHOWN)	MDR POWER CABLE (NOT SHOWN)	MDR SECOND GENERATION GPS ANTENNA (NOT SHOWN)	MDR USB A TO B CABLE (NOT SHOWN)	SECURITY KEY (NOT SHOWN)
MODEL NUMBER	MDR-508-DS	MDR-IO-01	MDR-PWR-01	MDR-ANT-GPS-02	MDR-USB-B-02	MDR-KEY-01
PART NUMBER	5150	5142	5141	6118	5195	4891
MDR-508-DS-E01 QTY	1	1	1	1	1	1

ITEM	(7)	(8)	(9)	(10)	(11)	(12)
DESCRIPTION	2 x MDR BRACKETS	MDR MOUSE (NOT SHOWN)	ENGLISH INSTALLATION GUIDE (NOT SHOWN)	INSTALLATION CD (NOT SHOWN)	7 x FIXINGS FOR MDR BRACKETS	VEHICLE WARNING STICKER (NOT SHOWN)
MODEL NUMBER	MDR-BKT-01	MDR-MOUSE-01	MDR-500-IG-EN	MDR-XXX-CD	MDR-BKT-FIX-01	MDR-VWS
PART NUMBER	5138	5250	6326	6325	5197	5252
MDR-508-DS-E01 QTY	1	1	1	1	1	1



- NOTES:
- REFERENCE INSTRUCTION MANUAL FOR FUNCTIONALITY.
 - ANY CUSTOMER MODIFICATION OF THIS PRODUCT CAUSING SUBSEQUENT FAILURE IS NOT A LIABILITY OF BRIGADE ELECTRONICS GROUP PLC.
 - FIXING SCREWS SUPPLIED IN CLEAR PLASTIC BAG.
 - REFER TO COMPONENT DRAWINGS FOR DETAILED COMPONENT INFORMATION.
 - FOR ALL LABELS AND PACKAGING REFER TO MASTER BOM.
 - PART DESCRIPTIONS CONTAINING "*" ARE FOUND WITHIN THE CONTROL UNIT. REFER TO MASTER BOM FOR DETAILS.

PROPRIETARY NOTICE
 THIS DESIGN AND TECHNICAL INFORMATION APPEARING ON THIS DRAWING IS THE PROPERTY OF BRIGADE ELECTRONICS, AND IS DISCLOSED IN CONFIDENCE. IT IS NOT TO BE COPIED, REPRODUCED, REVEALED TO OR EXPROPRIATED BY OTHERS, EITHER IN WHOLE OR IN PART WITHOUT THE EXPRESS WRITTEN CONSENT OF BRIGADE ELECTRONICS.



Assembly Pl Approval CAROL LI		Approved by B. JOHN		Checked by L. PILLAY		Drawn by S. ZHANG	
Sheet No 2 of 2		Angle of Projection 		Units mm	Scale N/A	Released 23/01/19	Assembly Ref N/A
		Status DRAFT		MDR-508-DS-E01			
		Part No 5624A		BE-003912-02-18			